



Cladco

Fixings

HEXAGON HEAD SELF DRILLING SCREWS FOR LIGHT SECTION 1.5MM TO 3.5MM

12 Gauge

Code	FDT498	FDT482	FDT470	FDT457	FDT451	FDT448	FDT438
ETL	86mm	70mm	58mm	45mm	39mm	36mm	26mm

	12 Gauge			10 Gauge		
Code	FDT432	FDT325	FDT219	FDT22010	FDT216	FDT213
ETL	20mm	13mm	8mm	8mm	7mm	5mm

HEXAGON HEAD SELF DRILLING SCREWS HEAVY SECTION 6.0MM TO 12.5MM

12 Gauge

Code	FDT12115	FDT12100	FDT1276	FDT1265	FDT1255	FDT1238	FDT1232
ETL	91mm	77mm	52mm	42mm	30mm	14mm	10mm

CODE	DESCRIPTION
G12	12mm Galvanised Bonded Washer 2mm Eodm backing
G16	16mm Galvanised Bonded Washer 2mm Eodm backing
G19	19mm Galvanised Bonded Washer 3mm Eodm backing
G28	28mm Galvanised Bonded Washer 3mm Eodm backing



HEXAGON HEAD SHEET TO TIMBER SCREWS

14 Gauge

Code	FDST45	FDST32	FDST25
ETL	40mm	27mm	20mm

HEXAGON HEAD COMPOSITE PANEL TIMBER SCREWS

Code	FDSTHT150	FDSTHT125	FDSTHT100	FDSTHT60	FDSTHT60
MIN	90mm	70mm	50mm	30mm	25mm
MAX	125mm	100mm	75mm	55mm	35mm

STITCHING SCREWS AND STITCHING PRODUCTS

Code	FLAPLOX25	FLAPLOX38	0619	FMLS225	FLS222	FLS2 4.8x20
ETL	15mm	25mm	4.8x15mm	16G	14G	10G

HEXAGON HEAD SELF TAPPING SCREWS AB POINT

14 Gauge

Code	FTCAB20	FTCAB25	FTCAB32	FTCAB40	FTCAB50	FTCAB65	FTCAB75
ETL	15mm	20mm	27mm	35mm	45mm	60mm	70mm

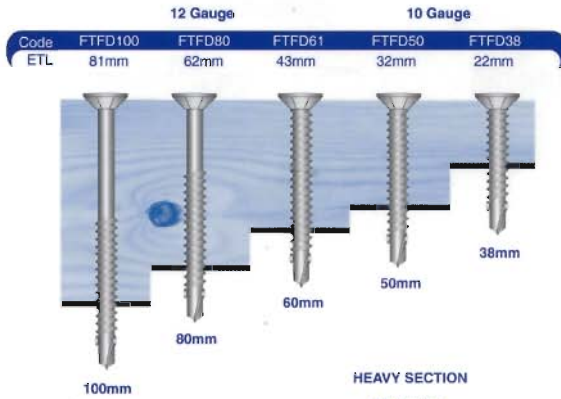
OTHER SIZES AVAILABLE

Code	FTCAB90	FTCAB100	FTCAB120	FTCAB140	FTCAB160	FTCAB175
ETL	85mm	95mm	115mm	135mm	155mm	170mm



COLOUR HEAD OPTION AVAILABLE ON MOST FIXINGS

COUNTERSUNK HEAD WING DRILLSCREWS FOR TIMBER TO STEEL LIGHT SECTION



HEAVY SECTION

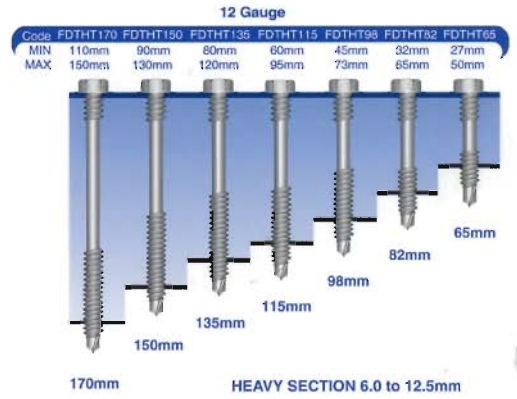


HEXAGON HEAD SELF DRILLING SCREWS FOR FIBRE CEMENT SHEETS

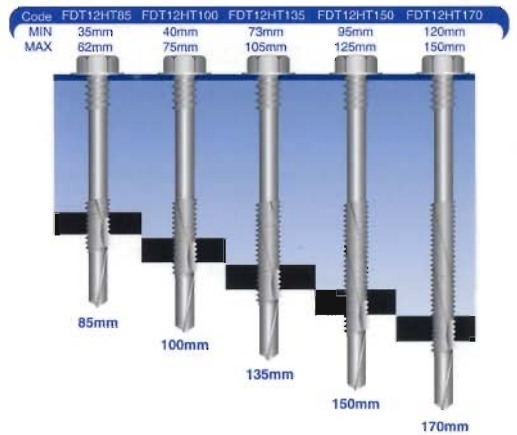


Code	ETL	Code	ETL	Code	ETL
FFCT130-BAZ	80mm	FFC12-115BAZ	80mm	FFC-110BAZ	80mm
		FFC12-155BAZ	120mm	FFC-150BAZ	120mm
		FFC12-195BAZ	160mm	FFC-190BAZ	160mm
		FFC12-235BAZ	200mm	FFC-230BAZ	200mm

HEXAGON HEAD SELF DRILLING SCREWS FOR COMPOSITE PANELS LIGHT SECTION 1.5 TO 3.5MM



HEAVY SECTION 6.0 TO 12.5mm



ANCHORS FOR MASONRY



Code No	Description	Box Qty	Outer Carton Qty
FTAP 32	6.3 x 32mm Hexagon Head	100	2400
FTAP 45	6.3 x 45mm Hexagon Head	100	2400
FTAP 57	6.3 x 57mm Hexagon Head	100	1200
FTAP 70	6.3 x 70mm Hexagon Head	100	1200
FTAP 82	6.3 x 82mm Hexagon Head	100	1200
FTAP 100	6.3 x 100mm Hexagon Head	100	1200
FTAP 125	6.3 x 125mm Hexagon Head	100	1200



Code No	Description	Box Qty	Outer Carton Qty
FTAP-45C	6.3 x 45mm Countersunk Head	100	2400
FTAP-57C	6.3 x 57mm Countersunk Head	100	2400
FTAP-70C	6.3 x 70mm Countersunk Head	100	1200
FTAP-82C	6.3 x 82mm Countersunk Head	100	1200
FTAP-100C	6.3 x 100mm Countersunk Head	100	1200
FTAP-125C	6.3 x 125mm Countersunk Head	100	1200

Code No	Spare Drill Bits
FTAP-CDR4	4.0 x 110mm Long
FTAP-CDR4L	4.0 x 140mm Long
FTAP-CDR5	4.8 x 110mm Long
FTAP-CDR5L	4.8 x 140mm Long

Full Range of Stainless Steel Fixings Available